



## AG-850 Antibacterial Vaporizer

- **ENGLISH**
- 中文





### Safety Information



Thank you for choosing Air Guard. Please read the following safety information carefully before operating the machine. This information includes important safeguards about installation, usage, and maintenance. Pay attention to all warning labels and instructions in this manual and printed on the machine.

- Keep this device dry.
- Always connect to a grounded circuit to avoid risk of electrocution.
- Before connecting the machine to power, always check the voltage indicate on the machine matches to your local AC voltage. Do not use the machine if AC power voltage does not match.
- Disconnect the machine from AC power before servicing and when not in use.
- If the supply cord is damaged, contact your local dealer for replacement.
- This product is for indoor use only! Do not expose to rain or moisture. If fluid is spilled, disconnect AC power and clean with a damp cloth. If fluid is spilled onto electronic parts, immediately unplug the machine and contact your local dealer for advice.
- No user serviceable and modifiable parts inside. Never try to repair this product, an unauthorized technician may lead the machine to damage or malfunction.
- For adult use only. Children being supervised not to play with the machine. Never leave the machine running unattended.
- The machine is not to be used by persons (including children) with reduced physical, sensory or mental capabilities, or lack of experience and knowledge.
- Installed in a well ventilated area. Provide at least 50 cm space around the machine.
- Never add flammable liquid of any kind to the machine.
- Make sure there are no flammable materials close to the machine while operating.
- Only use Air Guard Antibacterial Solution. Other solution may lead to heater clog and malfunctions.

- If the machine fails to work, unplug the machine and stop operation immediately. Contact your local dealer for advice.
- Before transporting the machine, make sure the fluid tank is completely drained.
- Air Guard Antibacterial Solution may present health risks if swallowed. Do not drink smoke solution. Store it securely. In case of eye contact or if solution is swallowed immediately look for medical advice.

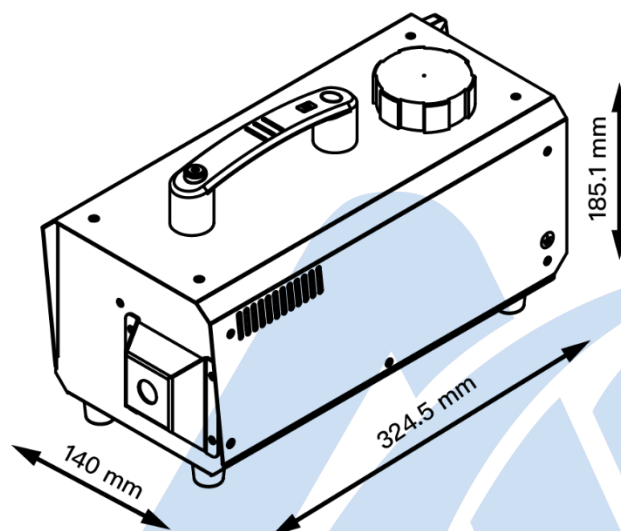
## Unpacking and Inspection

Immediately upon receiving the antibacterial vaporizer, carefully unpack the carton, check the content to ensure that all parts are present and have been received in good condition. If any parts appear damaged or mishandled from shipping, notify the shipper immediately and retain the packing material for inspection.

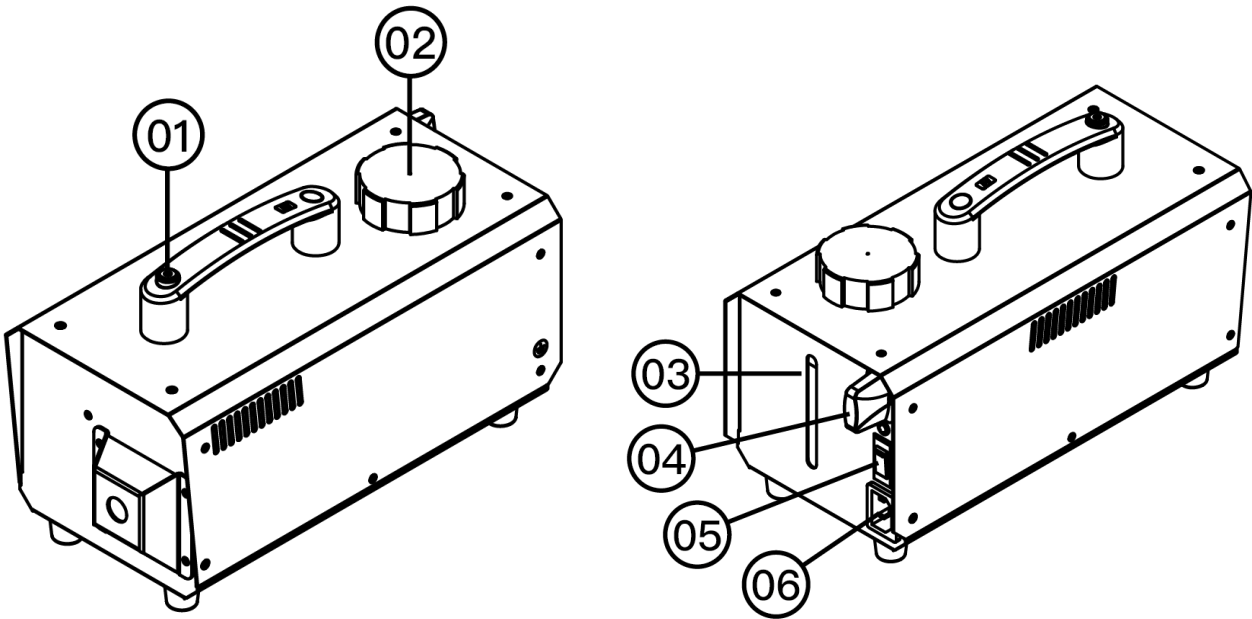
**What is included:**

- 1 x AG-850 Antibacterial Vaporizer
- 1 x 4m Power Cord
- 1 x Wireless remote control
- 1 x User Manual

## Product Dimensions



## Product Overview



01. Manual ON/OFF	02. Tank cap	03. Fluid tank
04. Wireless receiver	05. Power switch	06. Power Inlet

## Setting Up

**Step 1:** Place the vaporizer on a flat surface and in a suitably large area with at least 50 cm of open space around the machine.

**Step 2:** Fill the fluid tank with Air Guard Antibacterial Solution.

**Step 3:** Connect the machine to a suitably rated power supply. To determine the power requirement for the machine refer to the label on the back of the machine.



Always connect the machine to a protected circuit and ensure it is properly grounded to avoid risk of electrocution.

**Step 4:** Turn on the machine and allow it to heat up, while the machine is heating up the LED status light on push button will flash. Heat up takes approximately 2 minutes. Once machine reach operating temperature, the LED status light will turn solid.

**Step 5:** To start making fog, press the push button located on the handle. Press the push button

again to stop

**Step 6:** To turn off the machine, put the power switch to **OFF** position.

## Operation

### **Manual Operation**

AG-850 is preprogrammed to emit fog for 30sec. Press push button located on the handle to activate, machine will automatically stop after 30sec. Press push button any time to stop.

### **Wireless Operation**

Wireless remote control system W-1 consists of a transmitter equipped with two buttons to activate, deactivate and an onboard receiver attached to the rear panel of AG-850.



*W-1 Wireless Transmitter*

Press [A] button to emit fog and press [A] button again to stop.

In an unobstructed open space the effective distance is 50 meters, usage depending on obstacle level the effective distance is 10-25 meters.



*Wireless Receiver*

### **Transmitter setting**

By default [A] button is set to activate and deactivate. To change activation button, simply press desire button within 15 seconds after power is turn on.

### **Registering a transmitter**

Transmitters can be paired or deleted from the receiver. Each receiver can pair up to 5 transmitters.

Follow the steps below to pair or delete a transmitter from receiver.

Step 1: Turn on machine

Step 2: Press [A] or [B] button within 15 seconds to register

To register multiple transmitter follow step above and press [A] or [B] button on all registering transmitter within 15 seconds after power is turn on. When new transmitter is registered previous transmitter will be automatically deleted.

### ***Transmitter battery replacement***

If the effective distance seems to decrease, it is possible the battery level is low and requires replacement. In order to replace the battery, undo the three screws on the back of transmitter to release the cover. Replace with the same type and specification of battery which is 27A 12V

## **Fluid**



Use **Air Guard FLE-G** for AG-850. The machine is tested and calibrated with authorized fluid to achieve the best performance. Warranty will be void, if any other type of liquid is used. Improper use of liquid may lead to machine failure and danger.

## **Service and Maintenance**

- Do not allow the machine to become contaminated.
- Remove dust from air vents with air compressor, vacuum or a soft brush.
- Only use a damp cloth to clean the casing.
- Before storing run distilled water through the system to help prevent condensing the pump or heater.
- It is recommended to run the machine on a monthly basis in order to achieve best performance and output condition.
- Excessive dust, liquid and dirt built up will degrade performance and cause overheating.

### ***Fuse Replacement***



Disconnect AC power before resetting the breaker. Only replace fuse with same type and rating.

*Step 1:* Disconnect AC power.

*Step 2:* Use a flat-head screwdriver to release fuse holder.

*Step 3:* Replace fuse with exact same type and rating as indicated below.

*Step 4:* Reinsert fuse holder

**Fuse**

100-120V = 7A 250V

220-240V = 4A 250V



## Technical Specifications

- |                       |   |
|-----------------------|---|
| - Input voltage       | US model : AC 100-120V, 50 / 60Hz 6.7A<br>EU model : AC 220-240V, 50 / 60Hz 6.67A |
| - Rated power         | 800 W   |
| - Warm-up time        | 2 minutes (approx)  |
| - Fluid consumption   | 10 ml / min (100% output)   |
| - Fluid tank capacity | 0.8 Liters  |
| - Compatible fluid    | Air Guard Antibacterial Solution  |
| - Ambient temp/ range | 0°C - 40°C (32°F-104°F)   |
| - Control             | Manual<br>Wireless  |
| - Dimension           | L 324.5 W 140 H 185.1 mm  |
| - Weight              | 3.4 kg (7.5 lbs)  |







## 使用說明及安全注意事項



在使用機器以前，請仔細閱讀以下說明，此份說明書包含了如何在安全的情況下安裝並使用機器，且會說明機器上所有標示的標籤所代表的意義。

如果您有任何使用上的問題，請聯繫當地的 Air Guard 經銷商尋求清楚的說明與協助。

- 保持機器的乾燥。
- 請配合接地型插座，以避免觸電的危險。
- 使用機器前，請確定使用場所的 AC 電源規格，與機器電壓規格是否相符。
- 拔開機器和 AC 電源插座時，請確認機器已關機不在使用的狀態下。
- 如果電源線損壞，請連繫當地的 Air Guard 經銷商更換電源線。
- 本產品僅限室內使用，請勿將機器暴露在雨中或潮濕的環境，如果有液體(抗菌液)翻倒或溢出，請勿連結機器與 AC 電源，用乾布擦拭乾淨，如果任何液體進入機器電子零件，請立即拔除插頭，並連繫當地的 Air Guard 經銷商。
- 本機器不含任何用戶拆解和自行維修或修改的零件在內，請勿嘗試自行維修或改裝機器，未經授權的技術人員，可能導致機器故障或永久損壞。
- 請勿讓身體、精神、感官存在缺陷或經驗不足者(包括兒童)使用本機器。
- 在通風良好的地方安裝使用機器，機器周邊至少應保留 50 公分的空間。
- 請勿添加任何易燃物品進入機器。
- 操作機器時請確認周邊沒有任何易燃的材料。為確保機器的使用壽命，請使用 Air Guard 抗菌液，添加其他液體可能會導致電熱管阻塞、機器的故障並使保固失效。
- 如果機器出現故障，請拔下機器插頭，立即停止工作，並請連繫您當地的 Air Guard 經銷商。
- 運送機器以前，請確認機器的油箱已完全清空。

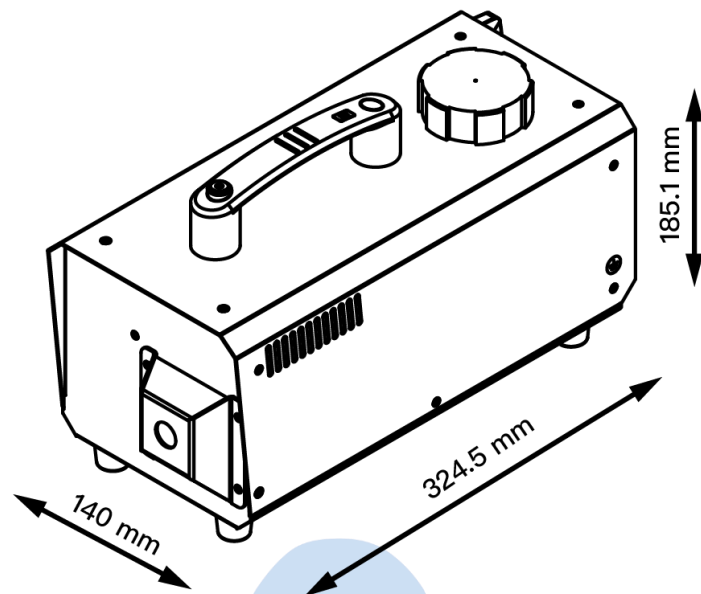
- 抗菌液不能食用，吞食抗菌液可能導致損壞健康的風險，請將抗菌液存放在室內安全、孩童無法拿取的地方。如果碰觸到眼睛或誤吞食，請立即尋求醫生的協助。

## 包裝內容

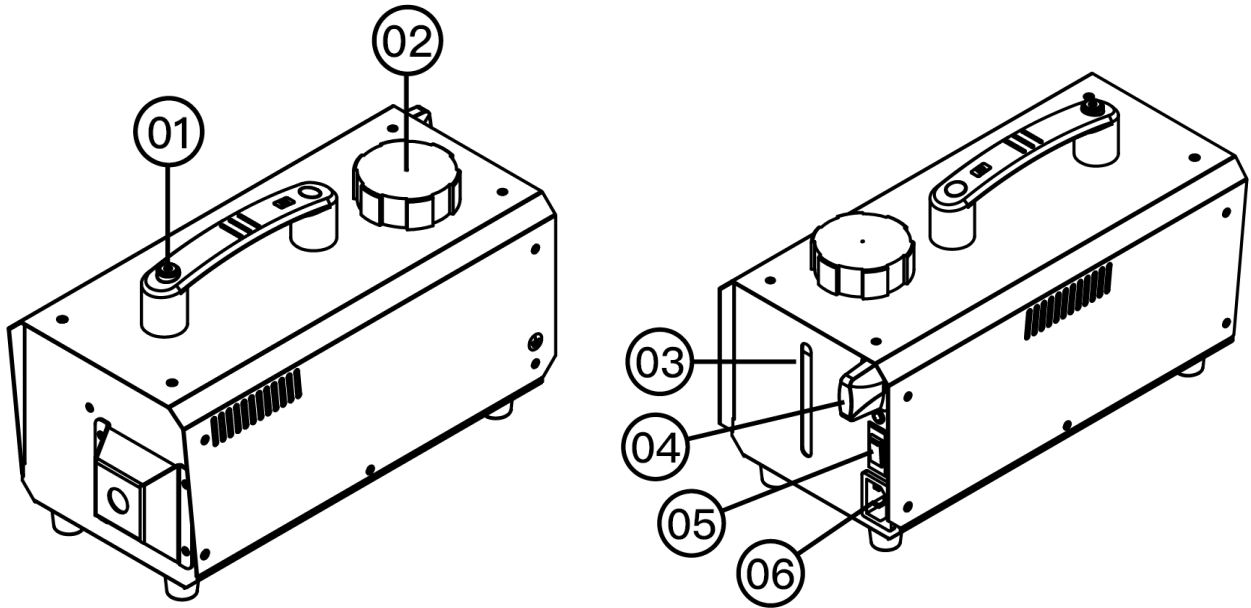
在收到機器後，請立即小心地打開包裝紙箱，檢查所有內容，以確保所有零配件都有齊全收到，並處於良好的狀態。如果有任何部件因運輸過程出現損壞或缺少，請立即連絡經銷商，並以原包裝退回檢查。

內容包括:

- AG-850 抗菌煙霧機 1 台
- 4 米電源線 1 條
- 無線控制器 1 個
- 使用說明書 1 本



## 機器外觀概述



01. 開關把手 ON/OFF	02. 油桶	03. 油量視窗
04. 無線接收器	05. 電源開關	06. 電源輸入孔

## 設定安裝

**步驟 1:** 將機器平放於平坦的表面，機器周圍至少應保留 50 公分的空間。

**步驟 2:** 將 Air Gurad 抗菌液注入油桶。

**步驟 3:** 將機器連接電源。連接之前，請確認機器背後技術標籤上所標示要求功率，是否與電源相符。



請務必將機器連接到有保護的電路，並確保有正確地接地，以避免觸電的危險。

**步驟 4:** 啟動機器電源，使機器開始加溫。機器加溫時，把手上的 LED 顯示燈會開始閃爍，大約需時 2 分鐘加熱到工作溫度。加熱完成時，LED 顯示燈會顯示為長亮，表示機器已經準備好並進行操作。

**步驟 5:** 欲開始輸出煙霧，請按下把手上的按鈕，再按一下停止輸出。

**步驟 6:** 需要關閉本機時，請將電源開關設為 *off*。

## 操作

### 手動控制

AG-850 內建 30 秒噴煙模式。按下把手上的按鈕開始輸出煙霧，30 秒後機器會自動停止噴煙。若想提早結束噴煙，按一下把手上的按鈕即可停止。

### 無線控制

AG-850 抗菌煙霧機配有 1 個 W-1 無線發射器，發射器配有[A] [B]兩個按鍵來啟動及停止機器噴煙。無線接收器在經過測試後，會固定在 AG-850 機器後版上，請勿嘗試將它拔除。



W-1 無線發射器

按下[A]鍵開始輸出煙霧，再按一次[A]鍵關閉輸出。

在無障礙物的開放空間，無線訊號的有效距離為 50 公尺。實際狀況根據障礙物多寡，保守距離約為 10-25 公尺。



無線接收器

### 無線發射器功能設定

預設為透過[A]鍵來啟動及關閉煙霧輸出。欲修改按鍵控制，請於機器開機後 15 秒內重新對頻。

### 無線發射器對頻設定

步驟 1: 啟動機器

步驟 2: 在 15 秒內按下發射器上的 [A]鍵或[B]鍵進行對頻

請注意，當有新的控制器與機器對頻時，先前完成對頻的控制器會被自動洗掉。

### 更換 W-1 無線發射器電池

如果無線控制器的有效控制距離縮短，可能是電池的電力不足，需要更換。請將 W-1 發射器

背後的三個螺絲旋開，打開背蓋，使用同樣是 27A/12V 的電池更換。

## 抗菌液的使用



AG-850 抗菌煙霧機，僅能使用 Air Guard 抗菌液。機器使用 Air Guard 抗菌液測試與校正，使用此抗菌液將產生最佳的抑菌效果。使用其他的抗菌液，不僅無法保證抗菌效果，更將導致機器故障並使保固失效。

## 維護與保養

- 請保持機器清潔，不要讓機器髒汙。
- 可以使用空氣壓縮機、吸塵器或軟刷除去機器上的灰塵。
- 機殼可使用濕布擦拭。
- 儲藏機器前，請將機器內的抗菌液倒回原抗菌液容器後，將蒸餾水倒入機器油桶並運作機器來清洗加熱系統，避免幫浦與電熱管堵塞。
- 建議每月至少讓機器溫機並運轉一次，以保持機器處於最佳的性能和輸出條件。
- 機器上過多的灰塵、液體殘餘累積的髒汙，會降低機器工作性能，並導致散熱不良。

### 更換保險絲



更換保險絲之前，請先關閉電源，並限用同樣類型與等級的保險絲。

步驟 1: 關閉電源

步驟 2: 使用平頭螺絲刀鬆開保險絲座

步驟 3: 更換相同類型和等級的保險絲，如下所示

步驟 4: 將保險絲座裝回

### 保險絲規格

100-120V = 7A 250V

220-240V = 4A 250V



## 規格資料

- 電壓  
美規 : AC 100-120V, 50 / 60Hz 6.7A  
歐規 : AC 220-240V, 50 / 60Hz 6.67A
- 額定功率  
800 W
- 加熱時間  
(約) 2 min
- 耗油量  
10 ml / min (100% 輸出量)
- 油桶容量  
0.8 Liters
- 適用抗菌液  
Air Guard 抗菌液
- 適用環溫  
0°C - 40°C (32°F-104°F)
- 控制方式  
手動控制、無線控制
- 尺寸  
長 324.5 寬 140 高 185.1 mm
- 重量  
3.4 kg (7.5 lbs)







**M22 Moisture Co., Ltd.**

Tel : +886 3 2227470 Fax : +886 3 2227469

[www.airguard.com.tw](http://www.airguard.com.tw) e-mail : [sales@airguard.com.tw](mailto:sales@airguard.com.tw)

C08AG8500

